

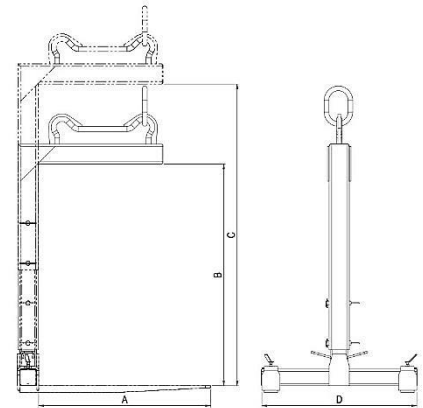
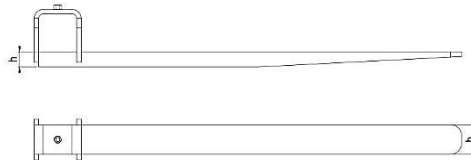


FORCHE PORTA PALLET – PALLET FORKS



Modelli Models	Portata Capacity	Peso Weight	A	B	C	D	b x h
	kg	kg	mm	mm	mm	mm	mm
FPF 15	1500	132	1050	1230	1710	900	100 x 40
FPF 20	2000	180	1035	1230	1710	900	100 x 40

In conformità EN 2006 42 CE
According to EN 2006 42 CE

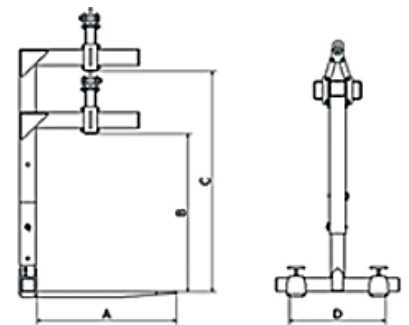
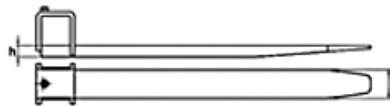


Attacco "S"
"S" Attachment



Modelli Models	Portata Capacity	Peso Weight	A	B	C	D	b x h
	kg	kg	mm	mm	mm	mm	mm
FPF 20S	2000	180	1030	1200	1680	900	100 x 40

In conformità EN 2006 42 CE
According to EN 2006 42 CE



Modelli Models	Portata Capacity	Peso Weight	A	B	C	D	b x h
	kg	kg	mm	mm	mm	mm	mm
FPF 20A	2000	175	1060	1100	1650	950	130 x 35

In conformità EN 2006 42 CE
According to EN 2006 42 CE

